

PLEASE CHECK WWW.MOLEX.COM FOR LATEST PART INFORMATION

Part Number: [0479890342](#)
Status: **Active**
Description: 1.00mm (.039") by 1.00mm (.039") Pitch rPGA 988B Notebook PC CPU Socket, with Pick-and-Place Cover, Tape-on-Reel Packaging, 988 Circuits, Lead-free

Documents:

[Drawing \(PDF\)](#) [RoHS Certificate of Compliance \(PDF\)](#)
[Product Specification PS-47989-001 \(PDF\)](#)

General

Product Family	Processor Sockets
Series	47989
Comments	Pick-and-Place Cap
Component Type	Socket
Product Name	rPGA988B, rPGA989

Physical

Circuits (Loaded)	988
Color - Resin	Black, Natural
Durability (mating cycles max)	30
Material - Metal	Copper Alloy
Material - Plating Mating	Gold
Material - Plating Termination	Copper, Silver, Tin
Material - Resin	High Temperature Thermoplastic
Packaging Type	Embossed Tape on Reel
Pitch - Mating Interface (in)	0.039 In
Pitch - Mating Interface (mm)	1.00 mm
Plating min: Mating (µin)	15
Plating min: Mating (µm)	0.38
Temperature Range - Operating	-20°C to +90°C
Termination Interface: Style	Solder or Weld

Electrical

Current - Maximum per Contact	.5A
Voltage - Maximum	5V

Solder Process Data

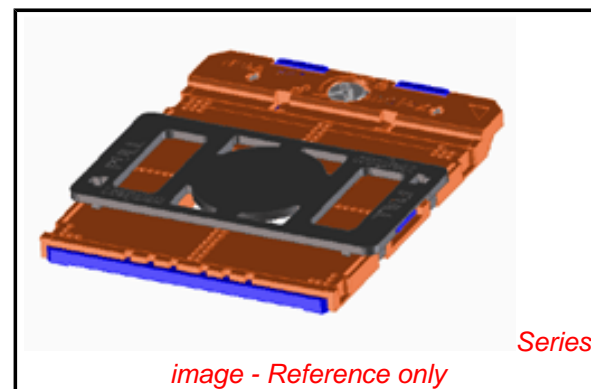
Duration at Max. Process Temperature (seconds)	3
Lead-free Process Capability	Reflow Capable (SMT only)
Max. Cycles at Max. Process Temperature	1
Process Temperature max. C	245

Material Info

Reference - Drawing Numbers

Packaging Specification	PK-47989-001
Product Specification	PS-47989-001
Sales Drawing	SD-47989-001

Intel and Nehalem and relevant names are either trademarks or registered trademarks of Intel Corporation



EU RoHS

**ELV and RoHS
Compliant**
**REACH SVHC
Contains SVHC: No**
**Halogen-Free
Status**

China RoHS



**Need more information on product
environmental compliance?**

Email productcompliance@molex.com
 For a multiple part number RoHS Certificate of Compliance, [click here](#)

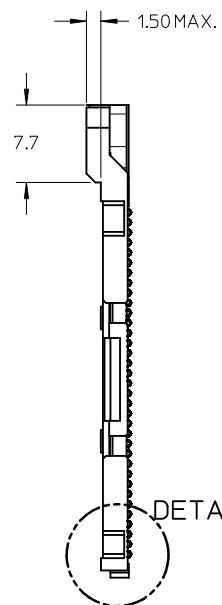
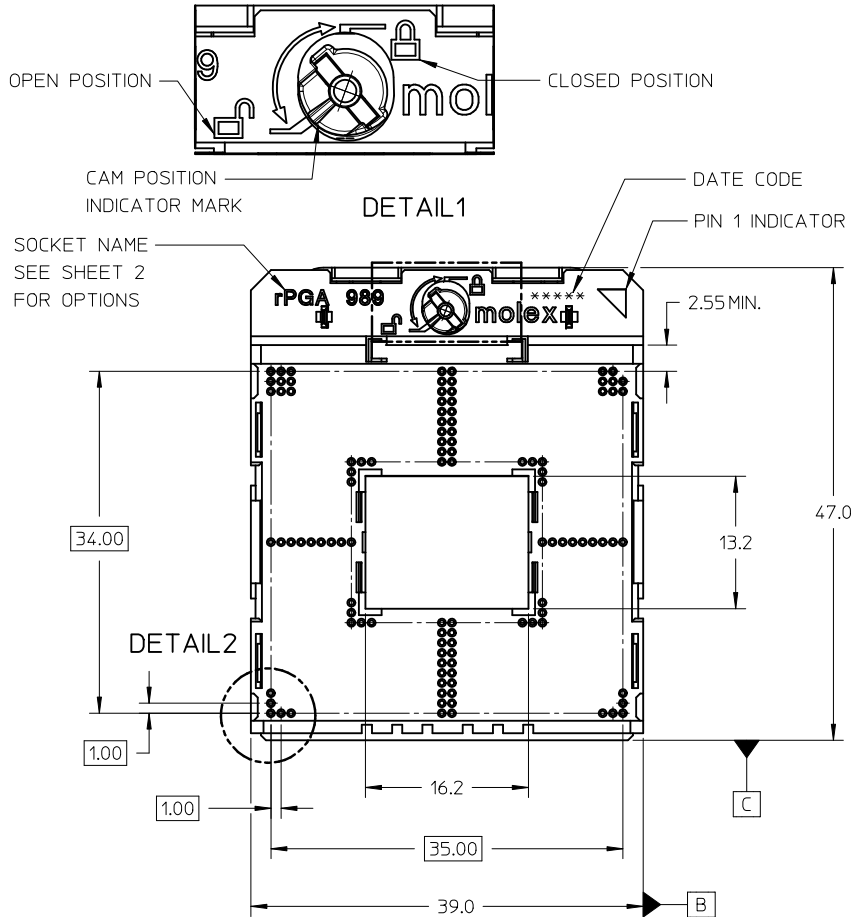
Please visit the [Contact Us](#) section for any non-product compliance questions.

Search Parts in this Series

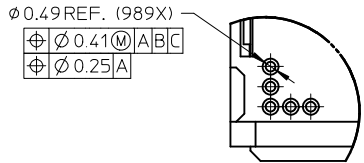
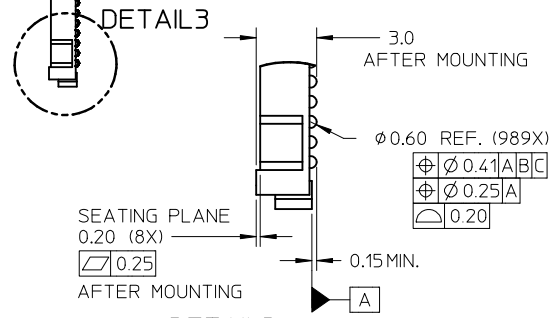
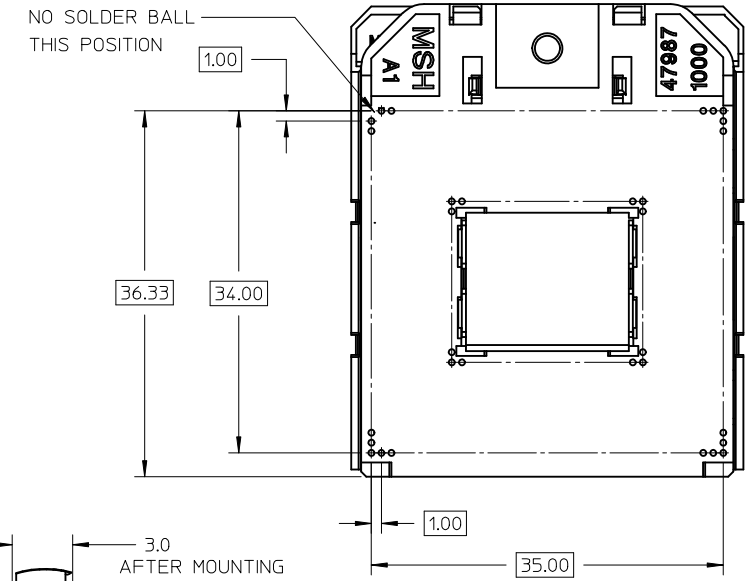
[47989Series](#)

Mates With

Intel* Nehalem Processor



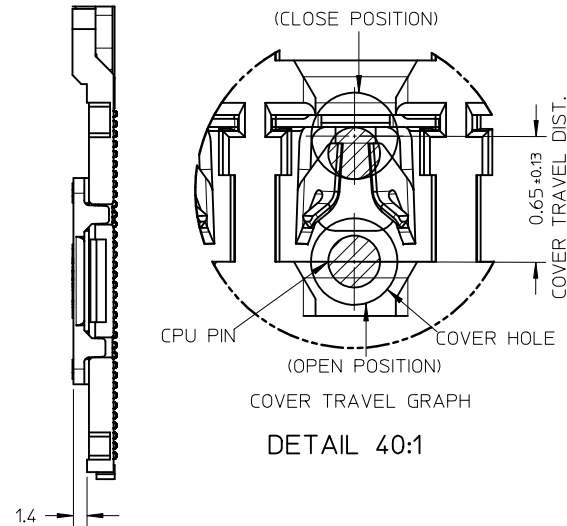
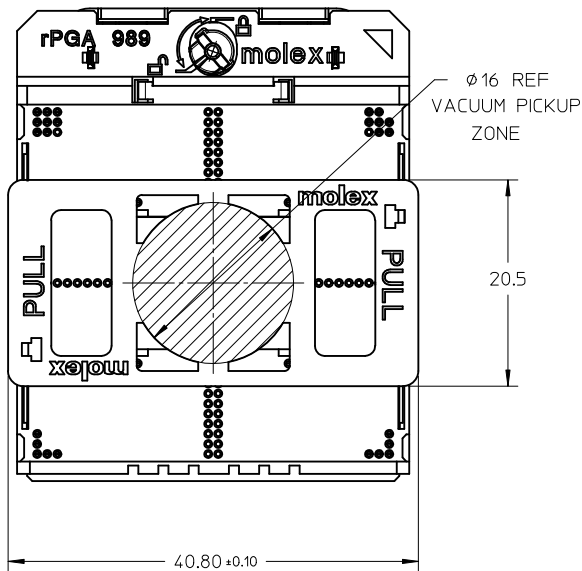
- NOTES:
- 1) THIS SOCKET COMPLIES WITH ALL SPECIFICATIONS AND PERFORMANCE REQUIREMENTS FOR INTEL rPGA98X SERIES CPU PROCESSORS.
 - 2) SOCKET SHOWN IN OPEN POSITION.
 - 3) SEE SHEET 2 FOR DETAILS PERTAINING TO KEYING, MATERIAL AND PACKAGING OPTIONS.
 - 4) THIS PRODUCT SERIES COMPLIANT TO RoHS DIRECTIVE 2002/95/EC AND ELV DIRECTIVE 2000/53/EC.



DETAIL 2

ENTER DESCRIPTION EC NO: SH2010-0084 DRWN: JZHANG11 CHKD: 2009/09/25 APPR: WEDENG 2009/10/12	QUALITY SYMBOLS $F_A=0$ $F_C=0$ $F_P=0$	GENERAL TOLERANCES (UNLESS SPECIFIED)		DIMENSION STYLE MM ONLY	SCALE 2:1	DESIGN UNITS METRIC	THIRD ANGLE PROJECTION	
		4 PLACES ± --- ± ---	3 PLACES ± --- ± ---	2 PLACES ± 0.10 ± ---	1 PLACE ± 0.20 ± ---	DRAWN BY QWFANG	DATE 2008/04/25	TITLE RPGA989 SOCKET ASSEMBLY
		ANGULAR ± 2 °	DRAFT WHERE APPLICABLE MUST REMAIN WITHIN DIMENSIONS	SEE TABLE	APPROVED BY CL IANG	DATE 2008/05/29	MATERIAL NO. SEE TABLE	MOLEX INCORPORATED
		SIZE A3	THIS DRAWING CONTAINS INFORMATION THAT IS PROPRIETARY TO MOLEX INCORPORATED AND SHOULD NOT BE USED WITHOUT WRITTEN PERMISSION	DOCUMENT NO. SD-47989-001	SHEET NO. 1 OF 3			

REMOVEABLE PICK & PLACE CAP



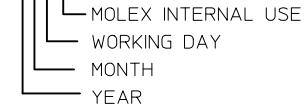
NOTES:

1) MATERIALS:

MOLDED COMPONENTS: LIQUID CRYSTAL POLYMER (LCP) UL 94V-0
 BASE HOUSING COLOR: BLACK
 COVER COLOR: NATURAL
 MYLAR(POLYIMIDE; COLOR:ORANGE) OR PnP COVER(LCP; COLOR: BLACK)
 FOR PICK & PLACE.

CONTACTS: HIGH STRENGTH COPPER ALLOY
 PLATING: 0.38µm GOLD IN CONTACT AREA, 1.3µm NICKEL OVERALL
 CAM COMPONENTS: STAINLESS STEEL
 SOLDER BALL: LEAD-FREE BALL SnAg3.0Cu0.5

2) DATE CODE *****

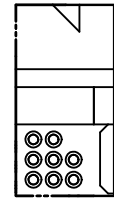
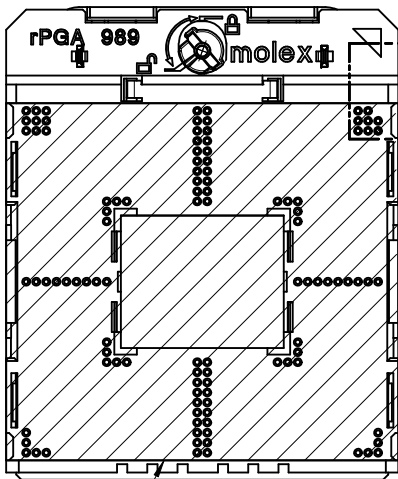


3) PRODUCT SPECIFICATION 47989-001 APPLIES

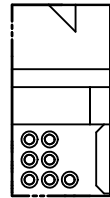
4) PACKAGING SPECIFICATION: PK-47989-001 (TAPE & REEL)
 PK-47989-002 (HARD TRAY)

SOCKET KEYING OPTIONS

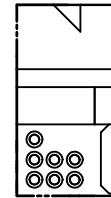
MYLAR PICK & PLACE OPTION



rPGA989
47989-01**



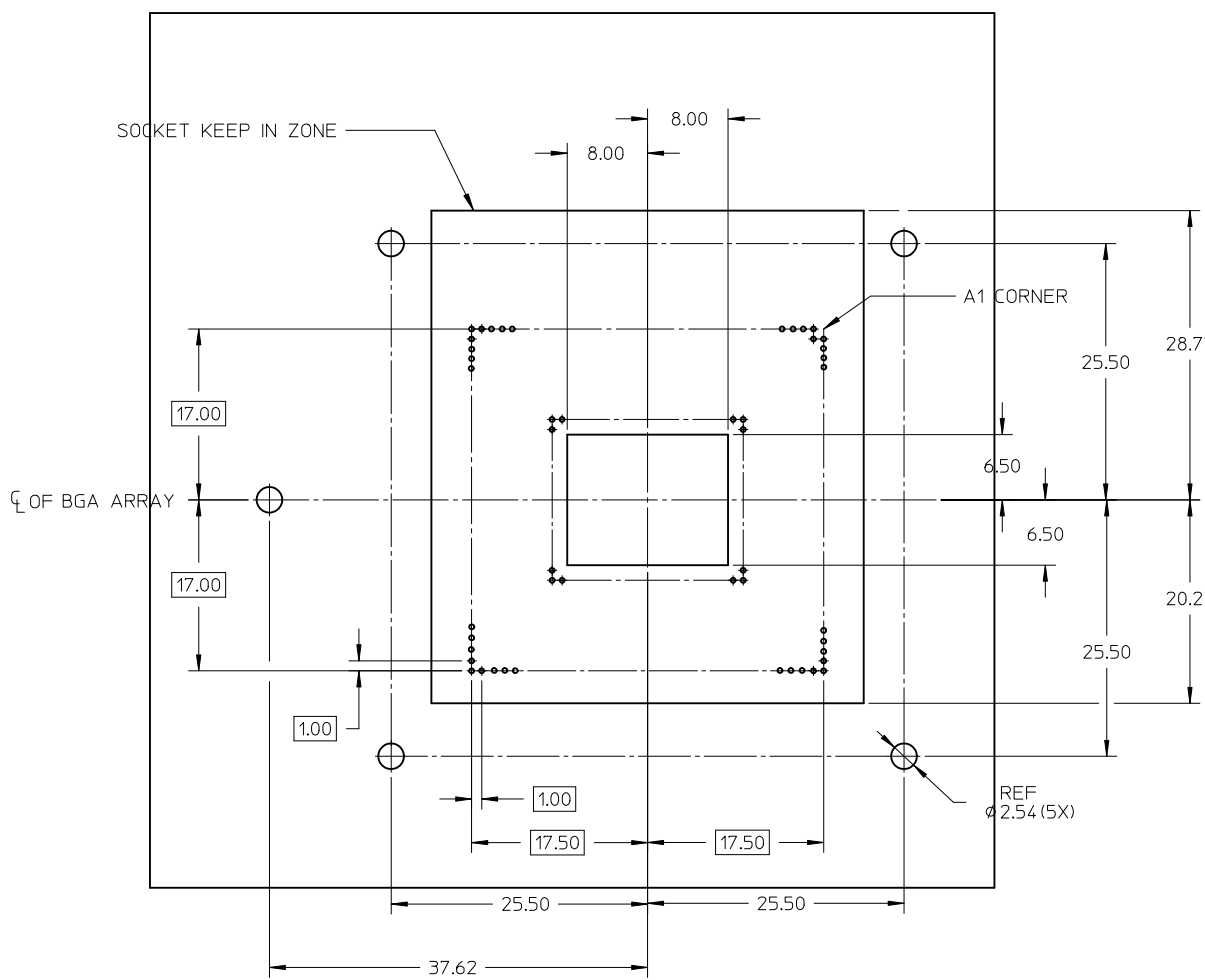
rPGA988A
47989-02**



rPGA988B
47989-03**

PART NUMBER	PICK UP TYPE		PACKAGE TYPE	
	MYLAR	CAP	T&R	HARD TRAY
47989-0112	◆			◆
47989-0122	◆		◆	
47989-0132		◆		◆
47989-0142		◆	◆	
47989-0212	◆			◆
47989-0222	◆		◆	
47989-0232		◆		◆
47989-0242		◆	◆	
47989-0312	◆			◆
47989-0322	◆		◆	
47989-0332		◆		◆
47989-0342		◆	◆	

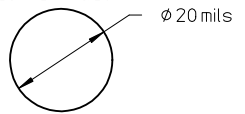
ENTER DESCRIPTION EC NO: SHZ010-0084 DRWN: JZHANG11 CHKD: APPR: WFDENG 2009/09/25 2009/09/25 2009/10/12	QUALITY SYMBOLS $F_A=0$ $F_G=0$ $F_P=0$	GENERAL TOLERANCES (UNLESS SPECIFIED)		DIMENSION STYLE MM ONLY		SCALE 2:1	DESIGN UNITS METRIC	THIRD ANGLE PROJECTION		
				mm	INCH	DRAWN BY QWFANG	DATE 2008/04/25	TITLE RPGA989 SOCKET ASSEMBLY		
		4 PLACES	± ---	± ---	CHECKED BY JKACHLIC	DATE 2008/05/29	MOLEX INCORPORATED DOCUMENT NO. SD-47989-001 SHEET NO. 2 OF 3			
		3 PLACES	± ---	± ---	APPROVED BY CL IANG	DATE 2008/05/29				
2 PLACES	± 0.10	± ---	DRAFT WHERE APPLICABLE MUST REMAIN WITHIN DIMENSIONS		SEE TABLE					
1 PLACE	± 0.20	± ---			MATERIAL NO.					



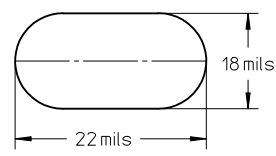
NOTES:

shape pada of PCB are recommended

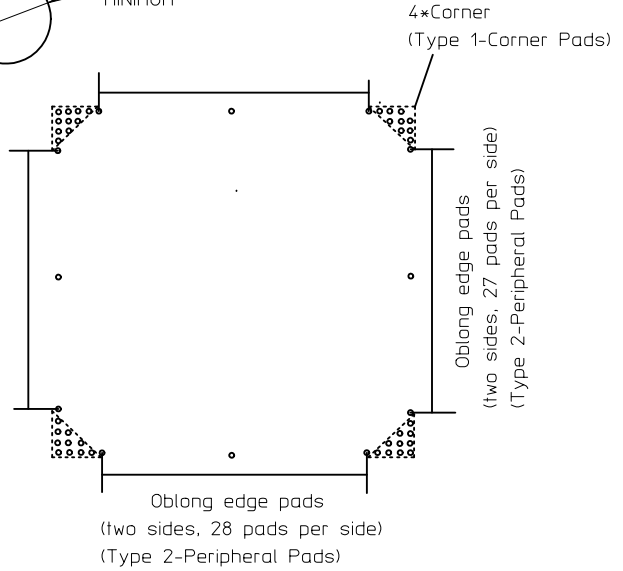
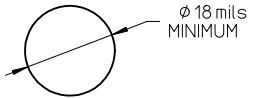
TYPE1-Corner Pads



TYPE2-Peripheral Pads(Oblong-shape pada are recommended)



TYPE3-All Other Location Except for those of Type1 and Type2 Locations)



MOTHERBOARD KEEP IN ZONE (KIZ)

ENTER DESCRIPTION EC NO: SH2010-0084 DRWN: JZHANG11 CHKD: 2009/09/25 APPR: WFDENG 2009/10/12	QUALITY SYMBOLS	GENERAL TOLERANCES (UNLESS SPECIFIED)		DIMENSION STYLE	SCALE	DESIGN UNITS	THIRD ANGLE PROJECTION
	$F_A = 0$	mm	INCH	MM ONLY	2:1	METRIC	
	$F_C = 0$	4 PLACES ± ---	± ---	DRAWN BY	DATE	TITLE	
	$F_P = 0$	3 PLACES ± ---	± ---	QWFANG	2008/04/25	RPGA989 SOCKET ASSEMBLY	
	2 PLACES ± 0.10	± ---	CHECKED BY	DATE	MOLEX INCORPORATED DOCUMENT NO. SD-47989-001 SHEET NO. 3 OF 3		
	1 PLACE ± 0.20	± ---	JKACH LIC	2008/05/29			
	ANGULAR ± 2 °		APPROVED BY	DATE	THIS DRAWING CONTAINS INFORMATION THAT IS PROPRIETARY TO MOLEX INCORPORATED AND SHOULD NOT BE USED WITHOUT WRITTEN PERMISSION		
	DRAFT WHERE APPLICABLE MUST REMAIN WITHIN DIMENSIONS		CL IANG	2008/05/29			
			MATERIAL NO.	SEE TABLE			
			SIZE	A3			